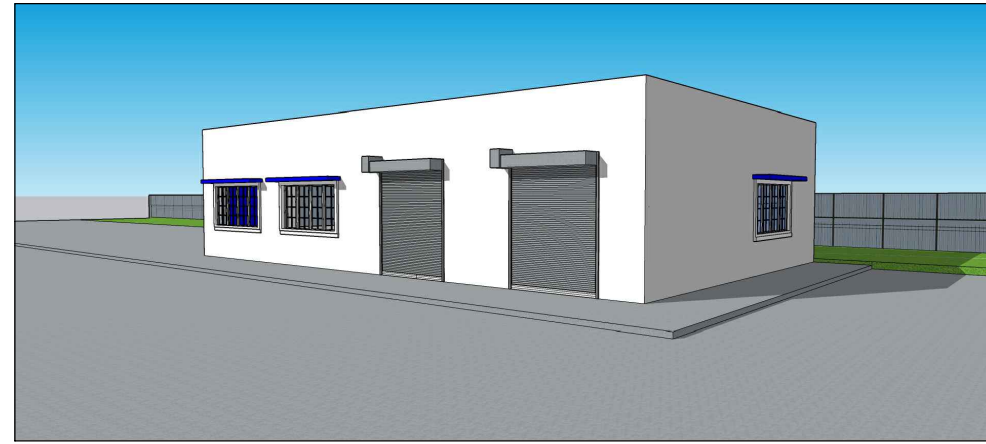
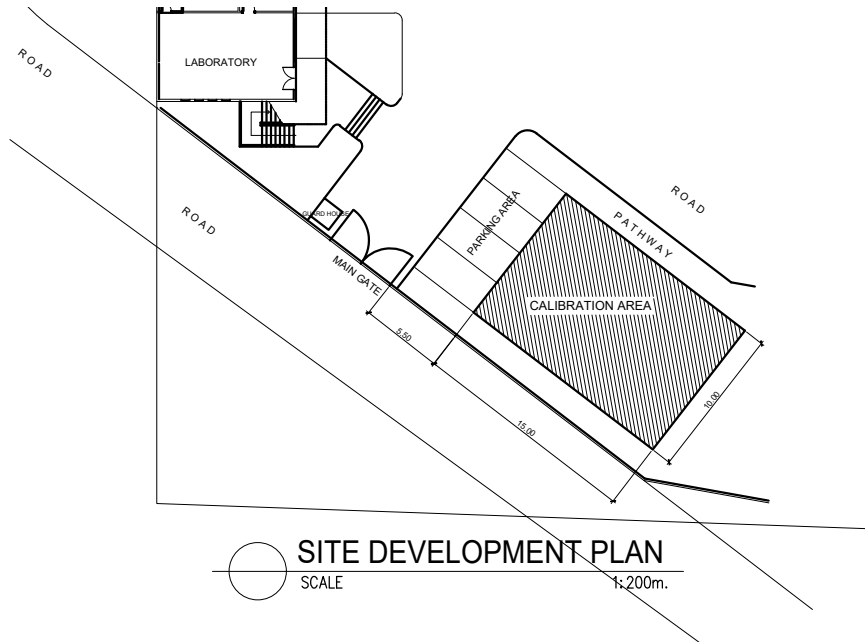


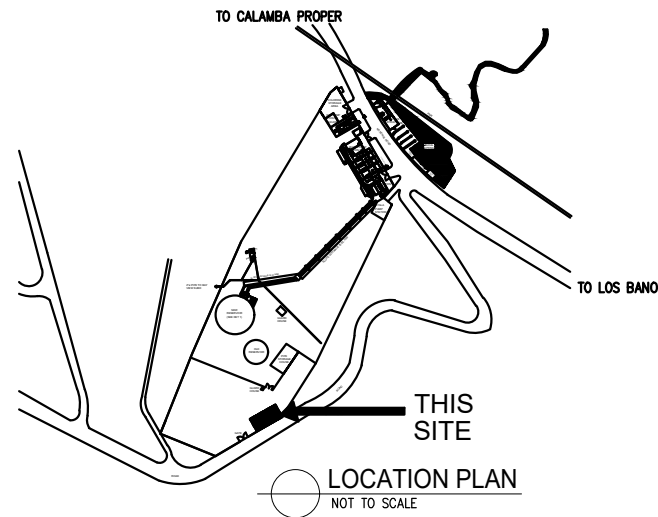
This design or drawing is the sole property of Calamba Water District. No part of this design or drawing may be reproduced or transmitted in any form or by any means without the written consent of its owner.



○ ————— PERSPECTIVE



○ ————— SITE DEVELOPMENT PLAN
SCALE 1:200m.



○ ————— LOCATION PLAN
NOT TO SCALE

NOTES:
 1. ALL SIZES AND LOCATIONS ARE SUBJECT TO CHANGE TO SUIT FIELD CONDITIONS.
 2. THE DESIGNER SHALL NOT BE LIABLE FOR ANY ALTERATION/ REVISION ON THE PLANS/ DRAWINGS AND SPECIFICATIONS IMPROVED BY THE AUTHORIZED SUPERVISING ENGINEER DONE WITHOUT THEIR KNOWLEDGE THAT MAY IMPAIR THE STRENGTH OF THE PROJECT.

TABLE OF CONTENTS

COVER SHEET (CS):
 PERSPECTIVE
 SITE DEVELOPMENT PLAN
 LOCATION PLAN

ARCHITECTURAL 1 (A1):
 GROUND FLOOR PLAN
 ROOF DECK PLAN

ARCHITECTURAL 2 (A2):
 FRONT ELEVATION
 REAR ELEVATION
 LEFT SIDE ELEVATION
 RIGHT SIDE ELEVATION

ARCHITECTURAL 3 (A3):
 CROSS SECTION
 LONGITUDINAL SECTION
 SCHEDULE OF DOORS & WINDOWS

ARCHITECTURAL 4 (A4):
 CEILING LAYOUT
 STAIR DETAIL

STRUCTURAL 1 (S1):
 FOUNDATION PLAN
 DETAIL OF FOOTINGS
 DETAIL OF COLUMNS

STRUCTURAL 2 (S2):
 SECOND FLOOR FRAMING PLAN
 DETAIL OF SLAB
 DETAIL OF BEAMS

PLUMBING 1 (P1):
 SEWER & PLUMBING LAYOUT
 DETAIL OF SEPTIC VAULT
 DETAIL OF CATCH BASIN
 PLUMBING LEGEND
 PLUMBING ISOMETRIC

ELECTRICAL 1 (E1):
 ELECTRICAL LIGHTING LAYOUT
 ELECTRICAL POWER LAYOUT

ELECTRICAL 2 (E2):
 GENERAL NOTES
 ELECTRICAL LEGEND
 SCHEDULE OF LOADS
 DETAIL OF PANELBOARD
 SINGLE LINE DIAGRAM

REPUBLIC OF THE PHILIPPINES
 DEPARTMENT OF PUBLIC WORKS
 TRANSPORTATION and COMMUNICATION

OFFICE OF THE BUILDING OFFICIAL

DISTRICT / CITY / MUNICIPALITY

LAND USE & ZONING

LINE & GRADE

ARCHITECTURAL

STRUCTURAL

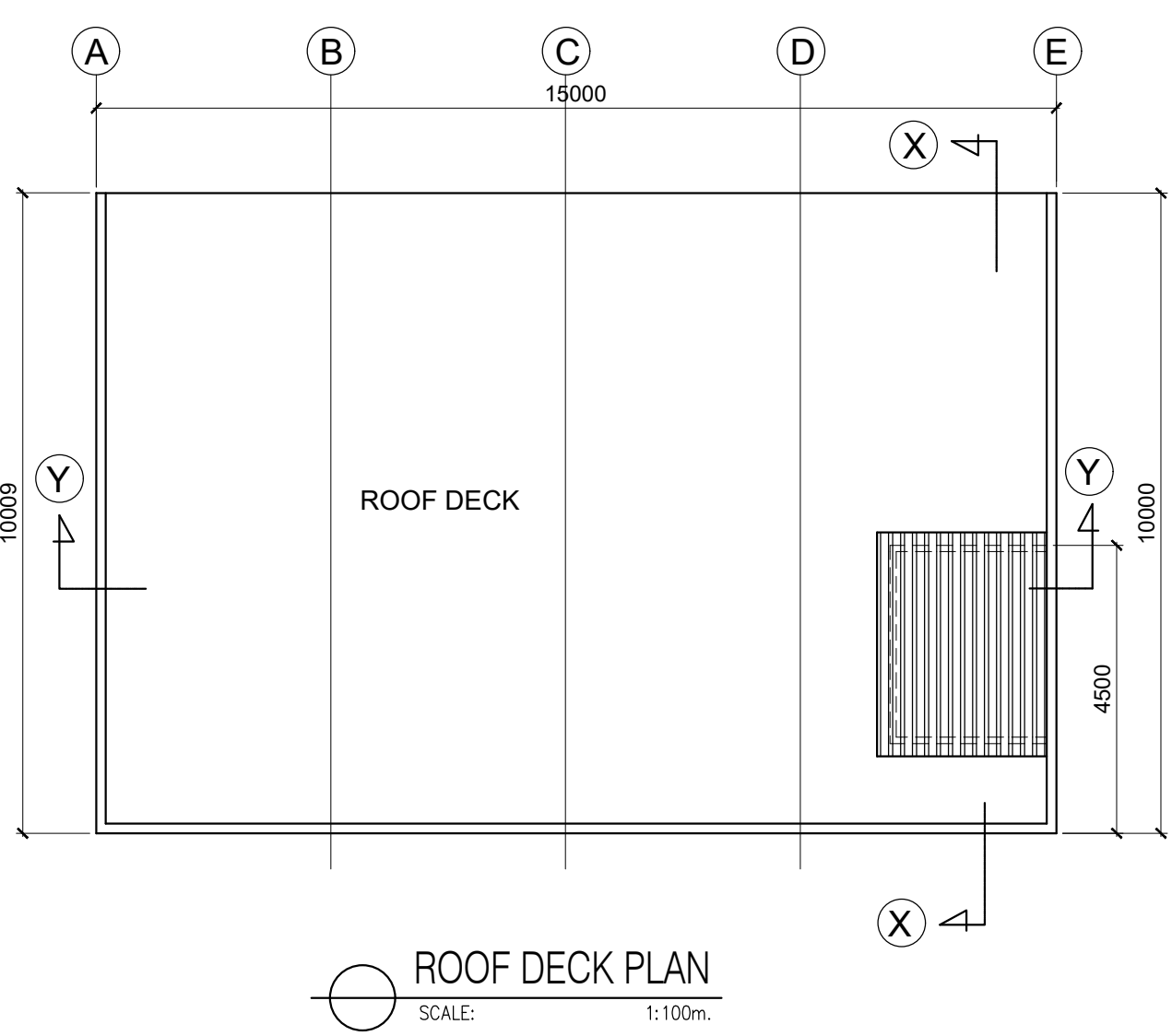
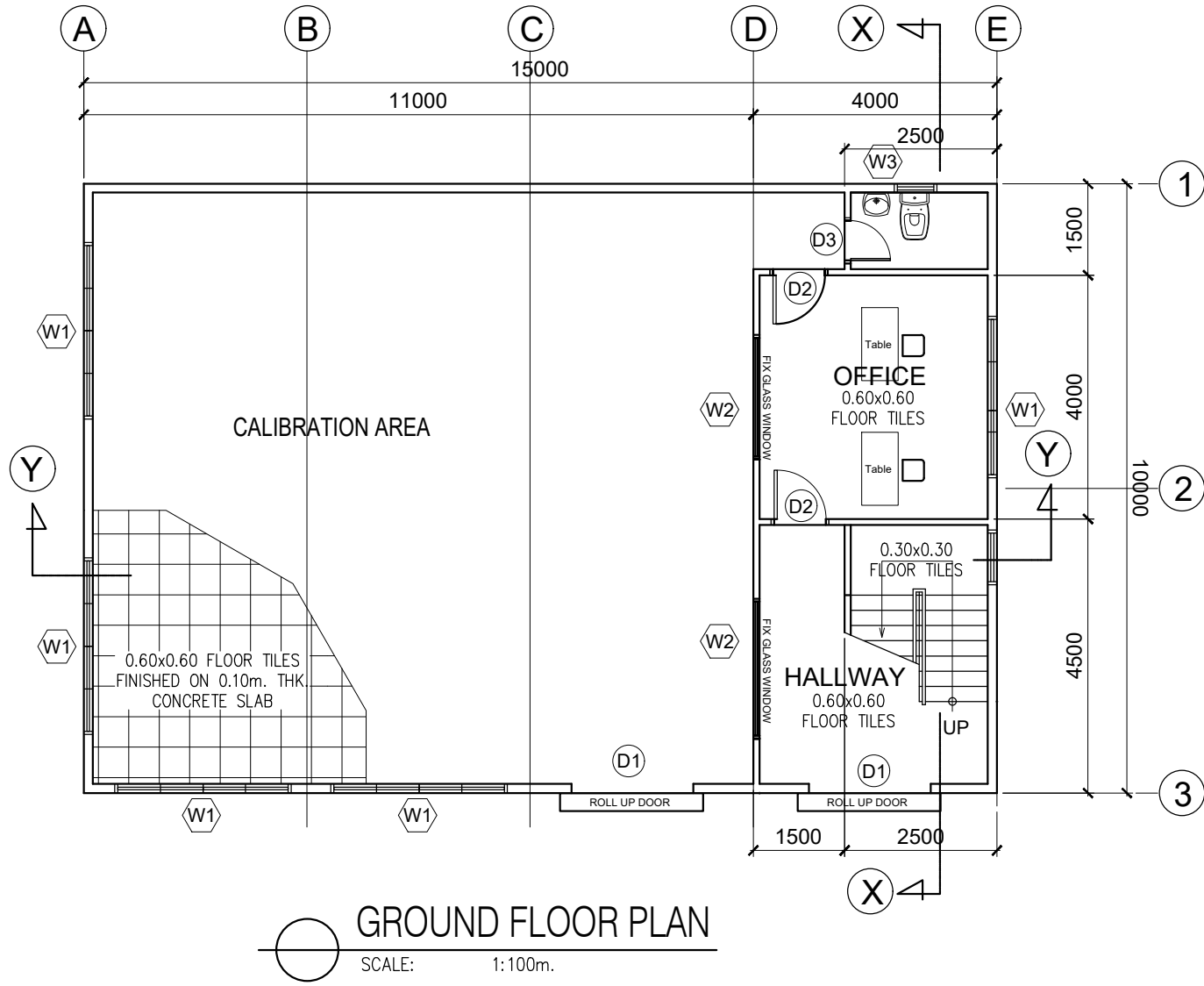
MECHANICAL

ELECTRICAL

 CALAMBA WATER DISTRICT ENGINEERING DEPARTMENT PLANNING AND DESIGN DIVISION 24/7 Public Service	PROJECT TITLE:	DRAWN BY: A. L. DEL PRADO	SHEET CONTENTS:	DATE: 09/29/2021
	SUPPLY OF LABOR & MATERIALS FOR THE CONSTRUCTION OF CALIBRATION ROOM & CALIBRATED WATER METER	LOCATION: Bucal Pumping Station Upper, Calamba City, Laguna	DESIGNED BY: A. L. DEL PRADO	CS
		RECOMMENDED BY: ENGR. J. GILLERA		
		APPROVED BY: MR. E. A. AGUILAR JR.		

ADMIN\D:\Angelo\Calamba Water District\PUMPING STATION\BPS_1\CALIBRATION BUILDING\BPS_UPPER_CALIBRATION BUILDING_2_storey_rev1.dwg- 9/29/2021 10:08 am

This design or drawing is the sole property of Calamba Water District. No part of this design or drawing may be reproduced or transmitted in any form or by any means without the written consent of its owner.

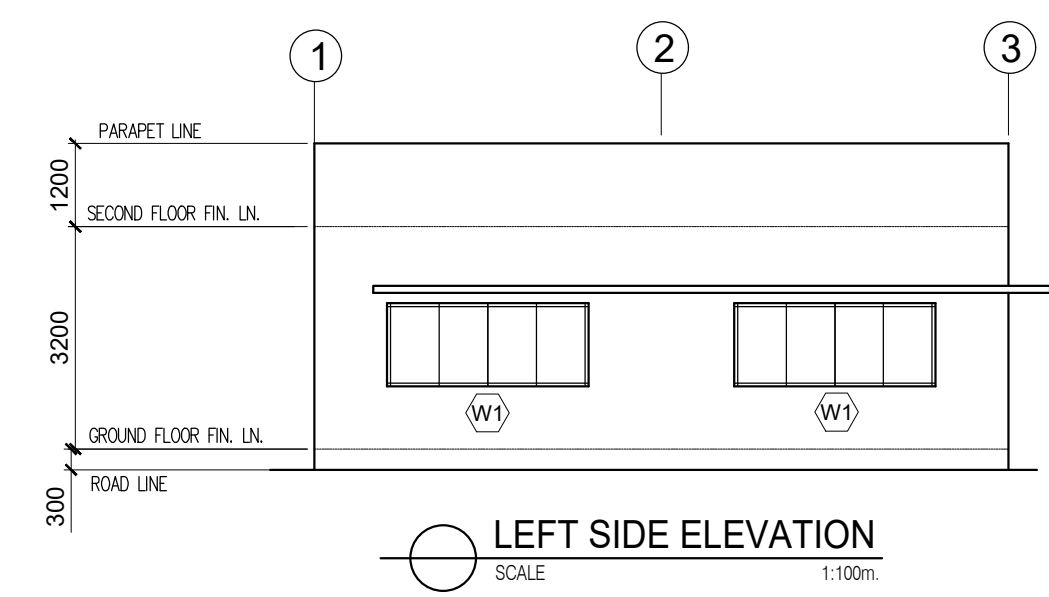
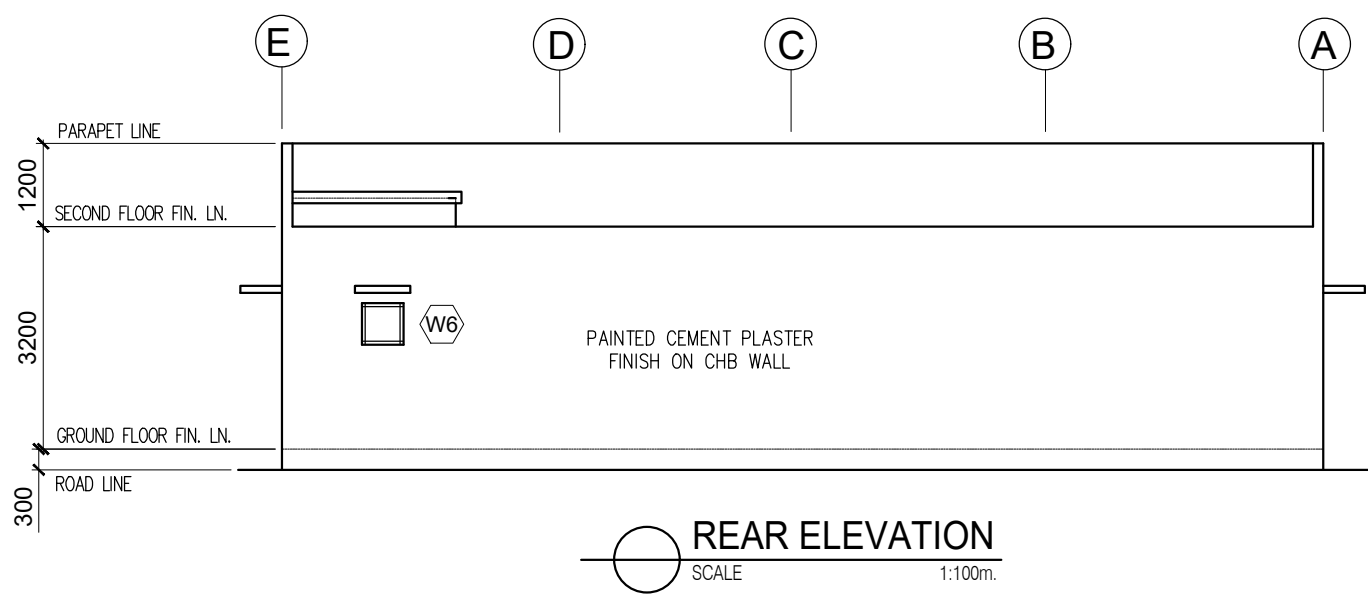
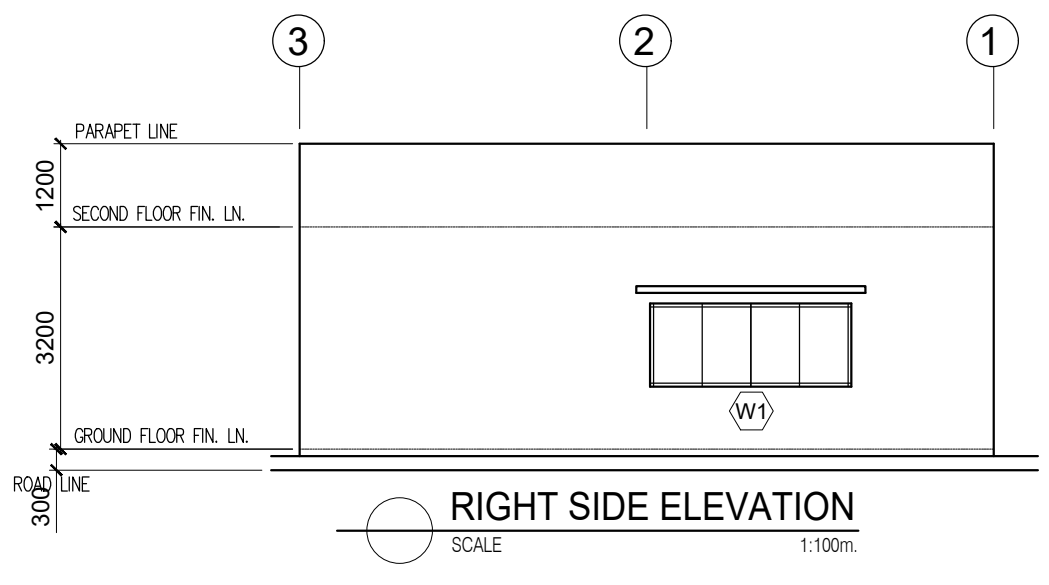
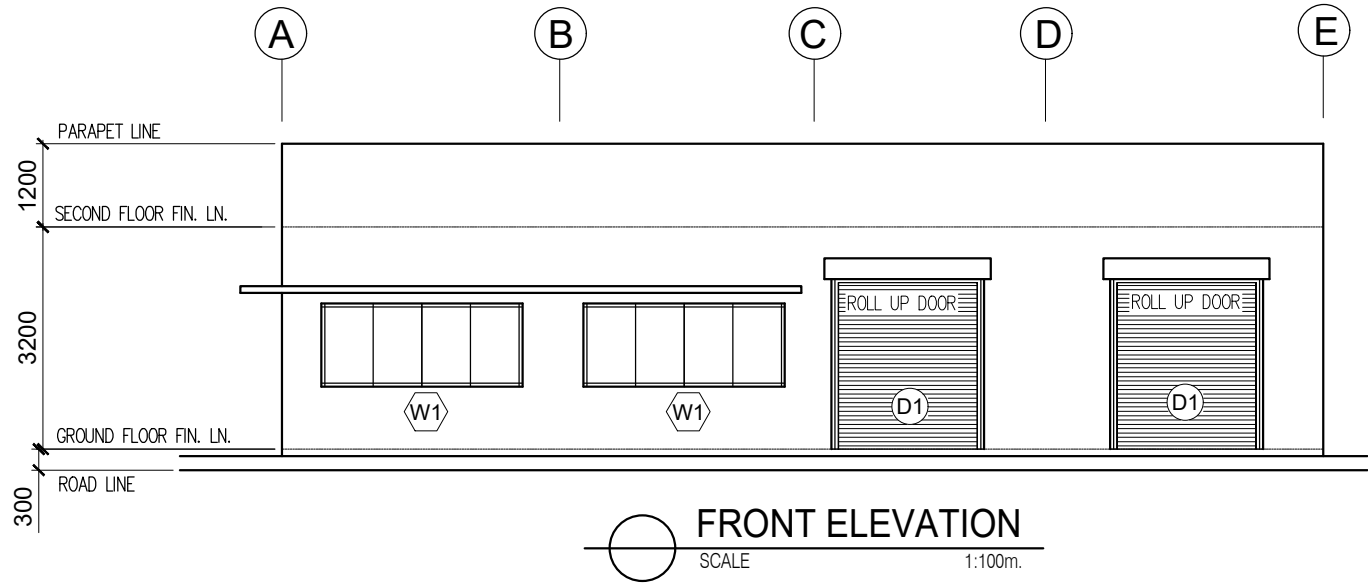


NOTES:
1. ALL SIZES AND LOCATIONS ARE SUBJECT TO CHANGE TO SUIT FIELD CONDITIONS.
2. THE DESIGNER SHALL NOT BE LIABLE FOR ANY ALTERATION/ REVISION ON THE PLANS/ DRAWINGS AND SPECIFICATIONS IMPROVED BY THE AUTHORIZED SUPERVISING ENGINEER DONE WITHOUT THEIR KNOWLEDGE THAT MAY IMPAIR THE STRENGTH OF THE PROJECT.


<p>CALAMBA WATER DISTRICT ENGINEERING DEPARTMENT PLANNING AND DESIGN DIVISION 24/7 Public Service</p>	PROJECT TITLE:	DRAWN BY: A. L. DEL PRADO	SHEET CONTENTS:	DATE: 09/29/2021
	SUPPLY OF LABOR & MATERIALS FOR THE CONSTRUCTION OF CALIBRATION ROOM & CALIBRATED WATER METER	DESIGNED BY: A. L. DEL PRADO		SHEET NO.
LAKEVIEW SUBD., HALANG, CALAMBA CITY	LOCATION: Bucal Pumping Station Upper, Calamba City, Laguna	RECOMMENDED BY: ENGR. J. GILLERA		A-1
		APPROVED BY: MR. E. A. AGUILAR JR.		

ADMIN\D:\Angelo\Calamba Water District\PUMPING STATION\BPS_1\CALIBRATION BUILDING\BPS_UPPER_CALIBRATION BUILDING_2_storey_rev1.dwg - 9/29/2021 4:46 pm

This design or drawing is the sole property of Calamba Water District. No part of this design or drawing may be reproduced or transmitted in any form or by any means without the written consent of its owner.

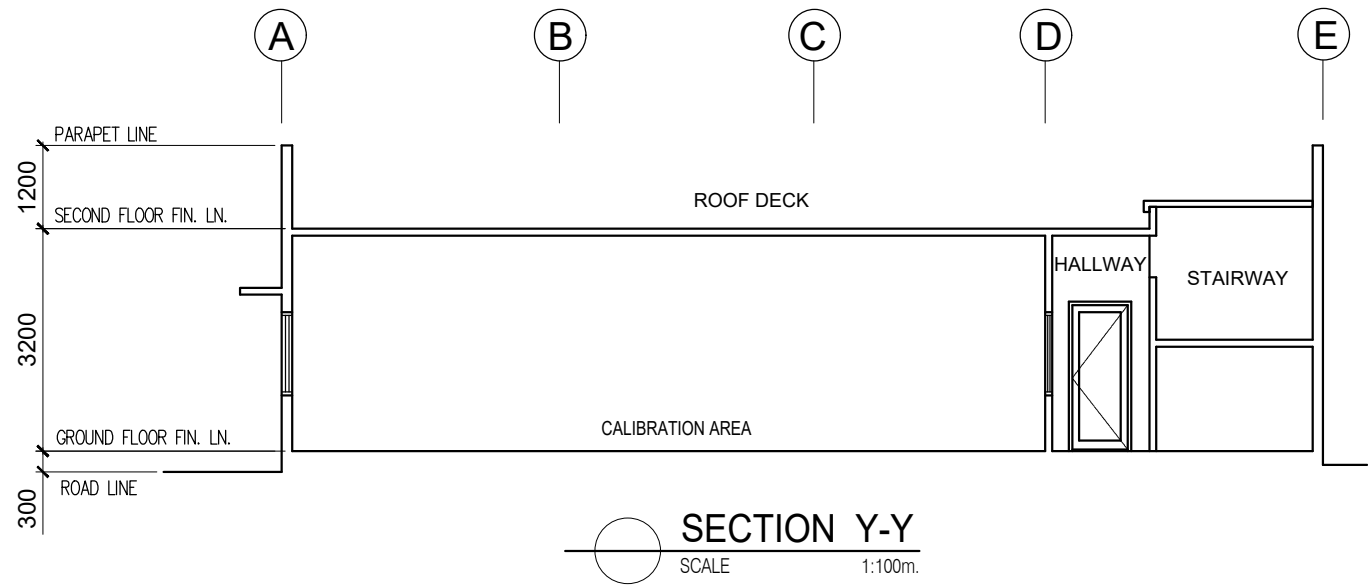


NOTES:
 1. ALL SIZES AND LOCATIONS ARE SUBJECT TO CHANGE TO SUIT FIELD CONDITIONS.
 2. THE DESIGNER SHALL NOT BE LIABLE FOR ANY ALTERATION/ REVISION ON THE PLANS/ DRAWINGS AND SPECIFICATIONS IMPROVED BY THE AUTHORIZED SUPERVISING ENGINEER DONE WITHOUT THEIR KNOWLEDGE THAT MAY IMPAIR THE STRENGTH OF THE PROJECT.

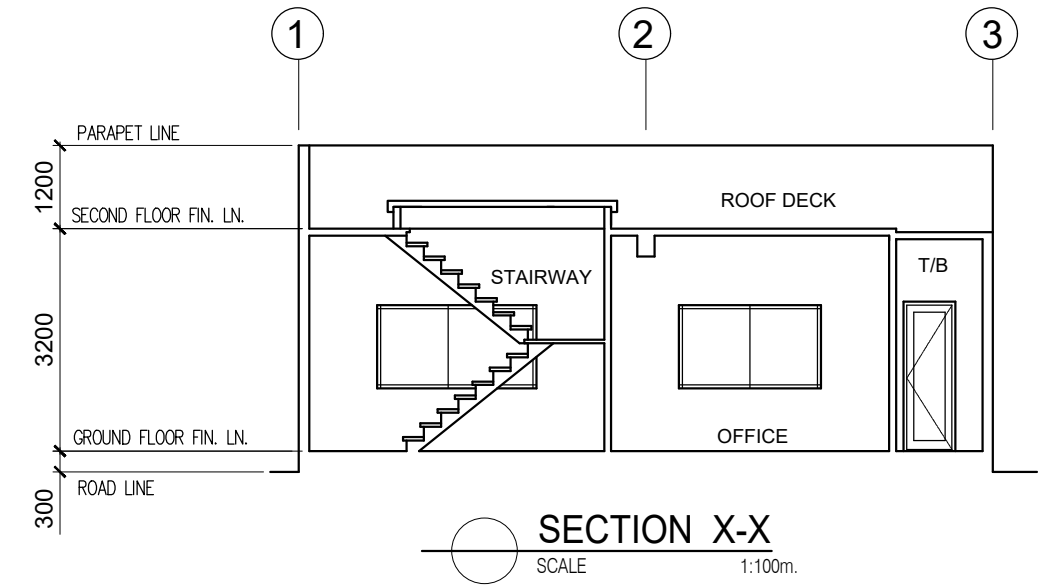
 CALAMBA WATER DISTRICT ENGINEERING DEPARTMENT PLANNING AND DESIGN DIVISION 24/7 Public Service	PROJECT TITLE:	DRAWN BY: A. L. DEL PRADO	SHEET CONTENTS:	DATE: 09/29/2021
	SUPPLY OF LABOR & MATERIALS FOR THE CONSTRUCTION OF CALIBRATION ROOM & CALIBRATED WATER METER	DESIGNED BY: A. L. DEL PRADO		SHEET NO.
LAKEVIEW SUBD., HALANG, CALAMBA CITY	LOCATION: Bucal Pumping Station Upper, Calamba City, Laguna	RECOMMENDED BY: ENGR. J. GILLERA		A-2
		APPROVED BY: MR. E. A. AGUILAR JR.		

ADMIN\D:\Angelo\Calamba Water District\PUMPING STATION\BPS_1\CALIBRATION BUILDING\BPS_UPPER_CALIBRATION BUILDING_2_storey_rev1.dwg-9/29/2021 10:27 am

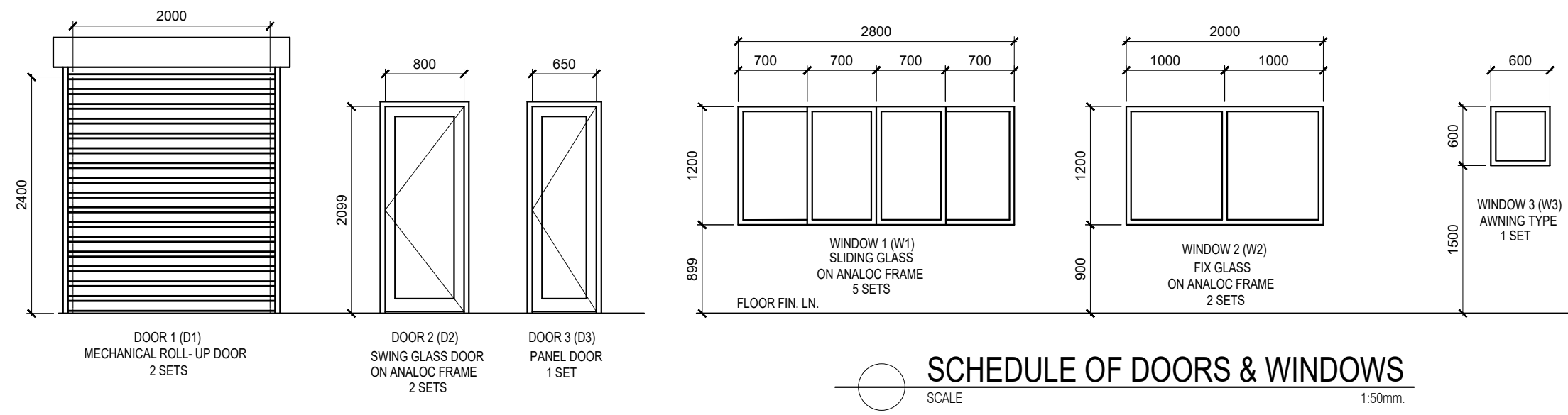
This design or drawing is the sole property of Calamba Water District. No part of this design or drawing may be reproduced or transmitted in any form or by any means without the written consent of its owner.



SECTION Y-Y
SCALE 1:100m.




SECTION X-X
SCALE 1:100m.



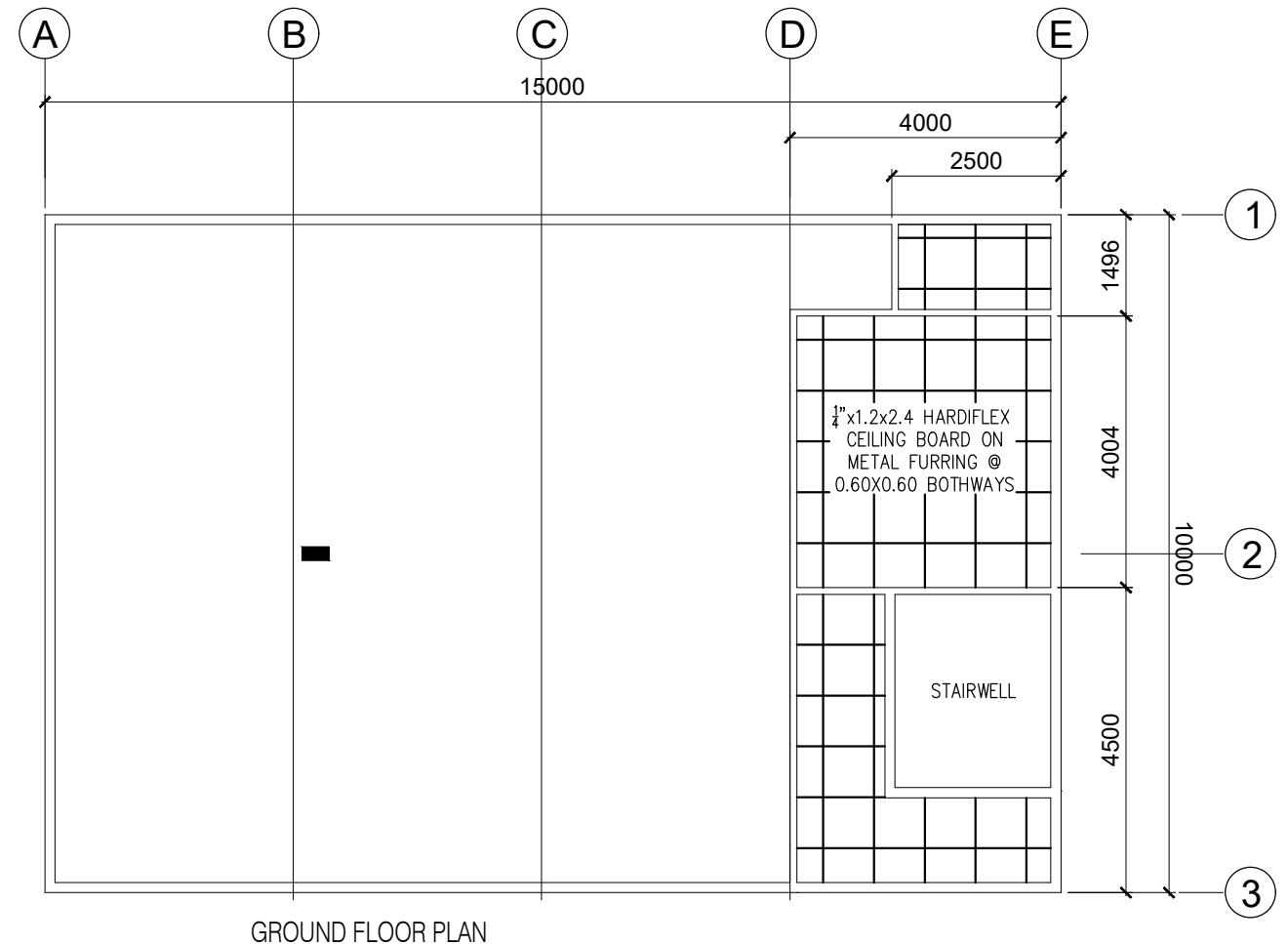
SCHEDULE OF DOORS & WINDOWS
SCALE 1:50mm.

NOTES:
1. ALL SIZES AND LOCATIONS ARE SUBJECT TO CHANGE TO SUIT FIELD CONDITIONS.
2. THE DESIGNER SHALL NOT BE LIABLE FOR ANY ALTERATION/ REVISION ON THE PLANS/ DRAWINGS AND SPECIFICATIONS IMPROVED BY THE AUTHORIZED SUPERVISING ENGINEER DONE WITHOUT THEIR KNOWLEDGE THAT MAY IMPAIR THE STRENGTH OF THE PROJECT.

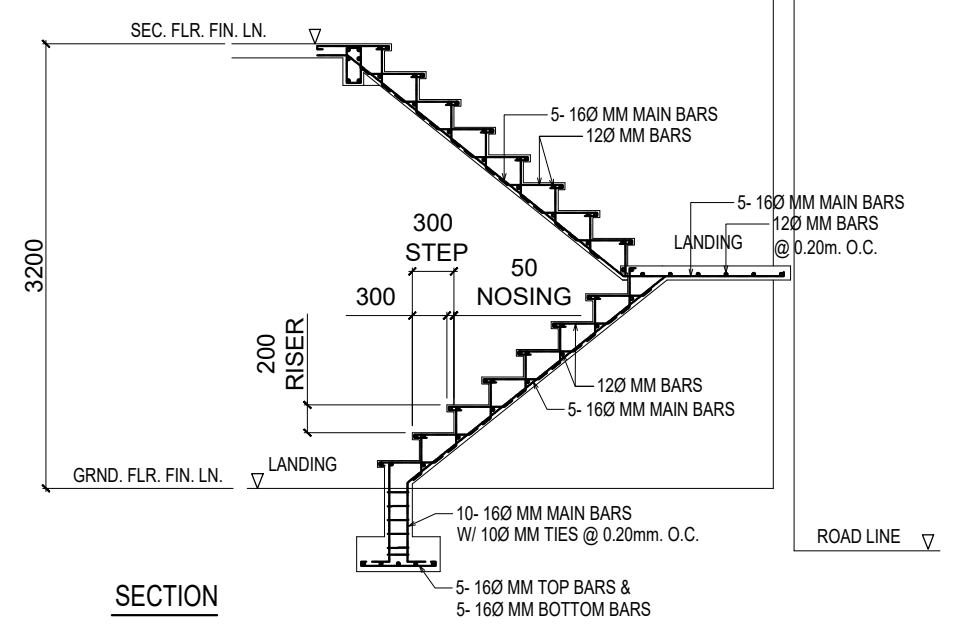
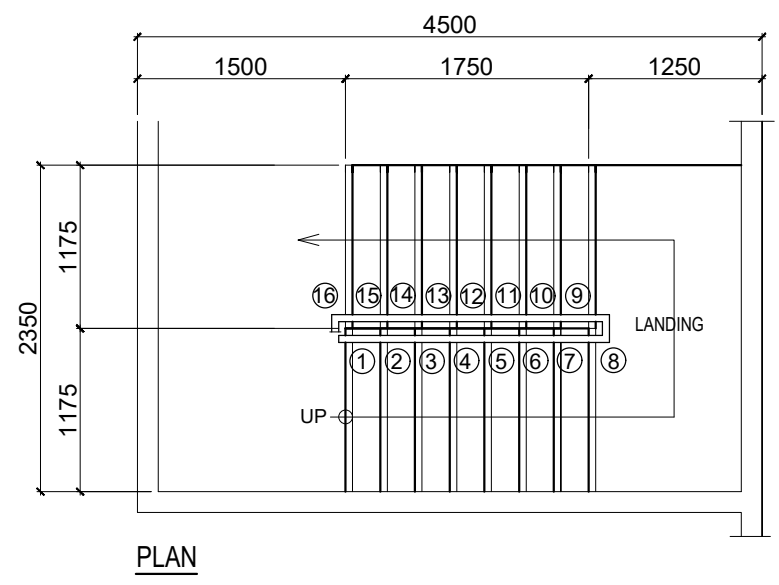
 CALAMBA WATER DISTRICT ENGINEERING DEPARTMENT PLANNING AND DESIGN DIVISION 24/7 Public Service	PROJECT TITLE:	DRAWN BY: A. L. DEL PRADO	SHEET CONTENTS:	DATE: 09/29/2021
	SUPPLY OF LABOR & MATERIALS FOR THE CONSTRUCTION OF CALIBRATION ROOM & CALIBRATED WATER METER	DESIGNED BY: A. L. DEL PRADO		SHEET NO.
LAKEVIEW SUBD., HALANG, CALAMBA CITY	LOCATION: Bucal Pumping Station Upper, Calamba City, Laguna	RECOMMENDED BY: ENGR. J. GILLERA		A-3
		APPROVED BY: MR. E. A. AGUILAR JR.		

ADMIN\D:\Angelo\Calamba Water District\PUMPING STATION\BPS_1\CALIBRATION BUILDING\BPS_UPPER_CALIBRATION BUILDING_2_storey_rev1.dwg-9/29/2021 4:46 pm


This design or drawing is the sole property of Calamba Water District. No part of this design or drawing may be reproduced or transmitted in any form or by any means without the written consent of its owner.



NOTES:
 1. ALL SIZES AND LOCATIONS ARE SUBJECT TO CHANGE TO SUIT FIELD CONDITIONS.
 2. THE DESIGNER SHALL NOT BE LIABLE FOR ANY ALTERATION/ REVISION ON THE PLANS/ DRAWINGS AND SPECIFICATIONS IMPROVED BY THE AUTHORIZED SUPERVISING ENGINEER DONE WITHOUT THEIR KNOWLEDGE THAT MAY IMPAIR THE STRENGTH OF THE PROJECT.

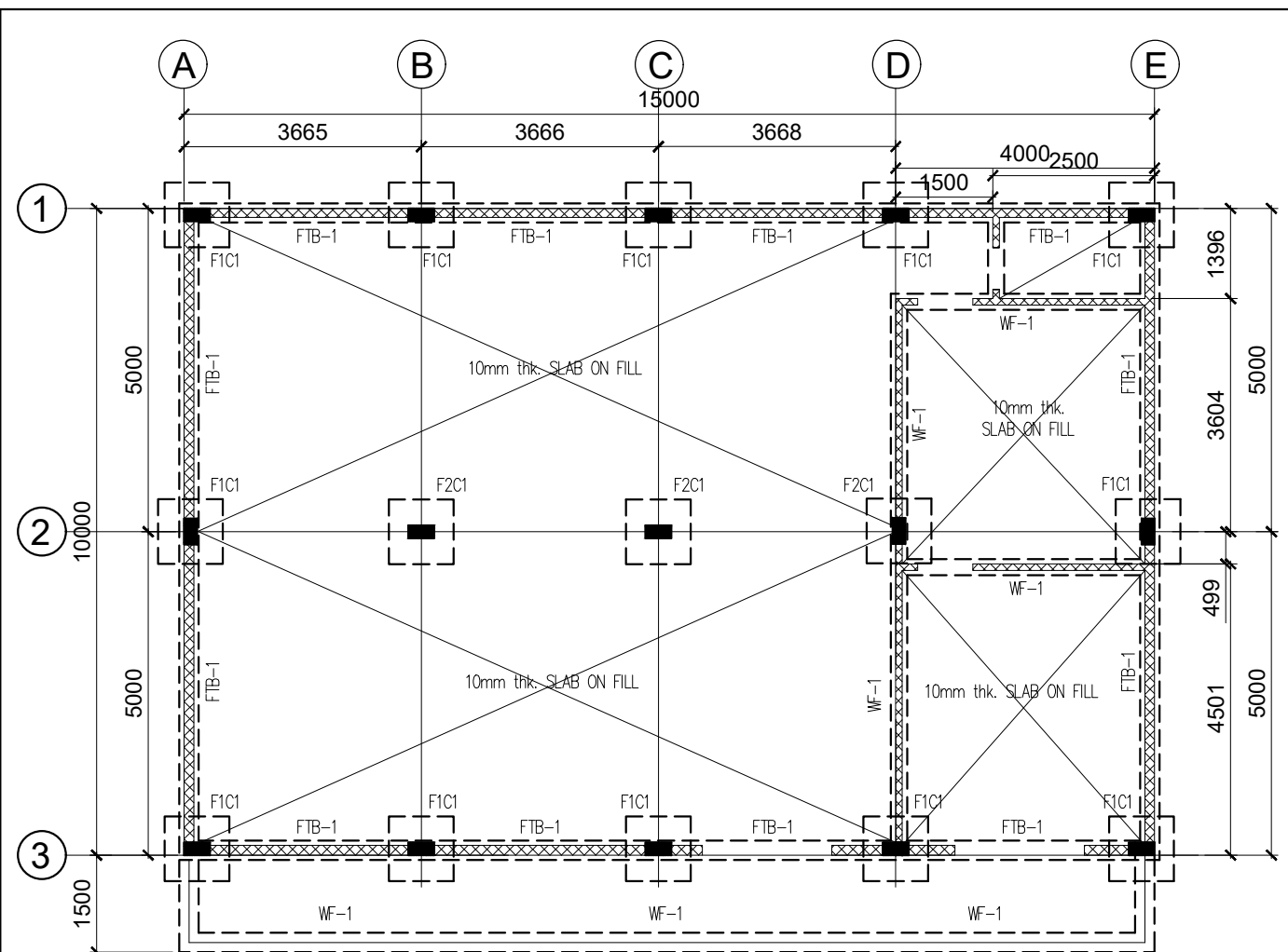


DETAIL OF STAIR
SCALE 1:50mm.

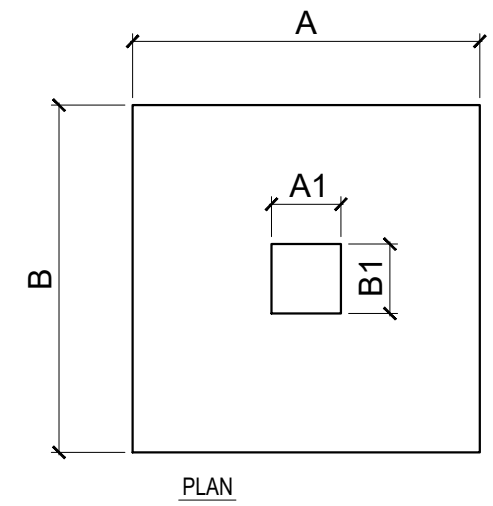
 CALAMBA WATER DISTRICT ENGINEERING DEPARTMENT PLANNING AND DESIGN DIVISION 24/7 Public Service	PROJECT TITLE:	DRAWN BY: A. L. DEL PRADO	SHEET CONTENTS:	DATE: 09/29/2021
	SUPPLY OF LABOR & MATERIALS FOR THE CONSTRUCTION OF CALIBRATION ROOM & CALIBRATED WATER METER	DESIGNED BY: A. L. DEL PRADO		SHEET NO. A-4
LAKEVIEW SUBD., HALANG, CALAMBA CITY	LOCATION: Bucal Pumping Station Upper, Calamba City, Laguna	RECOMMENDED BY: ENGR. J. GILLERA		
		APPROVED BY: MR. E. A. AGUILAR JR.		

ADMIN\D:\Angelo\Calamba Water District\PUMPING STATION\BPS_1\CALIBRATION BUILDING\BPS_UPPER_CALIBRATION BUILDING_2_storey_rev1.dwg-9/29/2021 4:45 pm

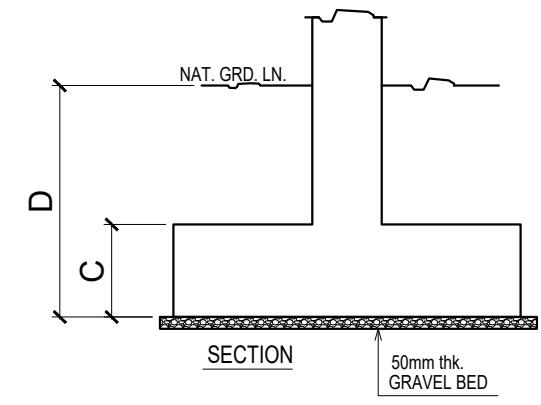
This design or drawing is the sole property of Calamba Water District. No part of this design or drawing may be reproduced or transmitted in any form or by any means without the written consent of its owner.



FOUNDATION PLAN
SCALE: 1:100m.



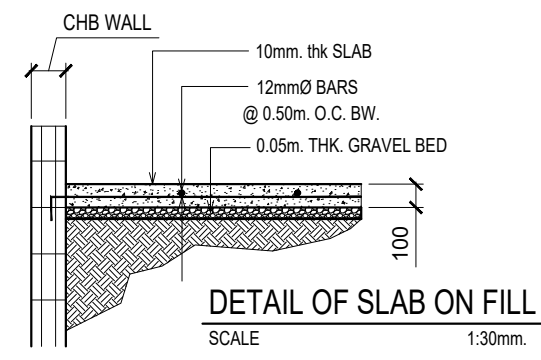
PLAN



DETAIL OF FOOTINGS
SCALE 1:30mm.

SCHEDULE OF FOOTING					
MARK	DIMENSION				REBARS
	A	B	C	D	
F1	1200	1200	300	1200~1500	7-16Ømm BARS BOTHWAYS
F2	1000	1000	300	1200~1500	9-16Ømm BARS BOTHWAYS
FTB-1	200	CONT.	300	400	6-16Ømm CONT. BARS W/ 10Ømm TIES @ 200mm O.C.
WF-1	300	CONT.	200	600	3-12Ømm CONT. BARS W/ 10Ømm TIES @ 200mm O.C.

SCHEDULE OF COLUMN			
MARK	DIMENSION		REBARS
	A1	B1	
C1	200	400	8-16Ømm VER. BARS W/ 10Ømm TIES 2@ 50, 4@ 100 & 200 @ REST.



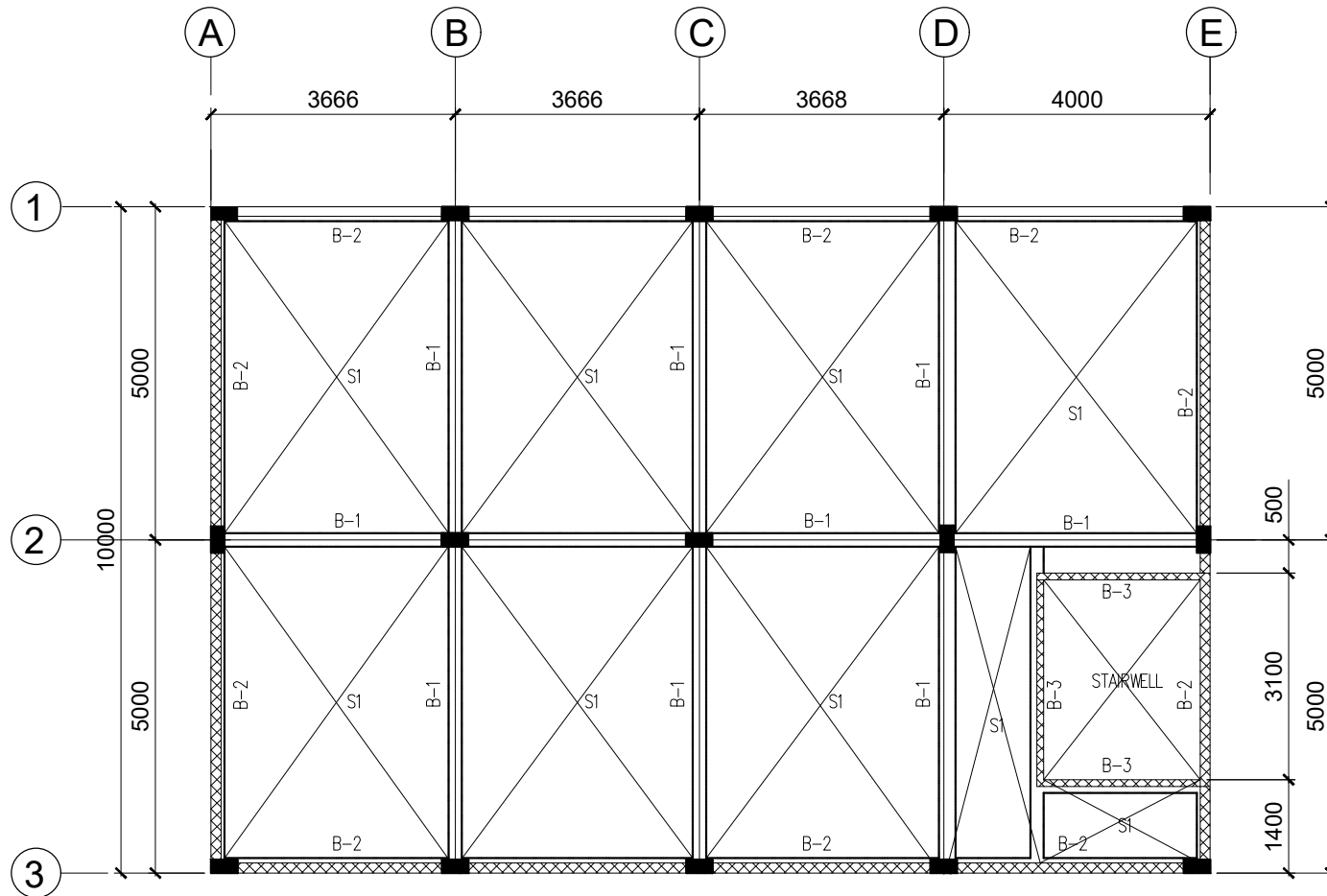
DETAIL OF SLAB ON FILL
SCALE 1:30mm.

NOTES:
1. ALL SIZES AND LOCATIONS ARE SUBJECT TO CHANGE TO SUIT FIELD CONDITIONS.
2. THE DESIGNER SHALL NOT BE LIABLE FOR ANY ALTERATION/ REVISION ON THE PLANS/ DRAWINGS AND SPECIFICATIONS IMPROVED BY THE AUTHORIZED SUPERVISING ENGINEER DONE WITHOUT THEIR KNOWLEDGE THAT MAY IMPAIR THE STRENGTH OF THE PROJECT.

<p>CALAMBA WATER DISTRICT ENGINEERING DEPARTMENT PLANNING AND DESIGN DIVISION 24/7 Public Service</p>	PROJECT TITLE:	DRAWN BY: A. L. DEL PRADO	SHEET CONTENTS:	DATE: 09/29/2021
	SUPPLY OF LABOR & MATERIALS FOR THE CONSTRUCTION OF CALIBRATION ROOM & CALIBRATED WATER METER	DESIGNED BY: A. L. DEL PRADO		SHEET NO.
	LOCATION: Bucal Pumping Station Upper, Calamba City, Laguna	RECOMMENDED BY: ENGR. J. GILLERA		S-1
LAKEVIEW SUBD., HALANG, CALAMBA CITY	APPROVED BY: MR. E. A. AGUILAR JR.			

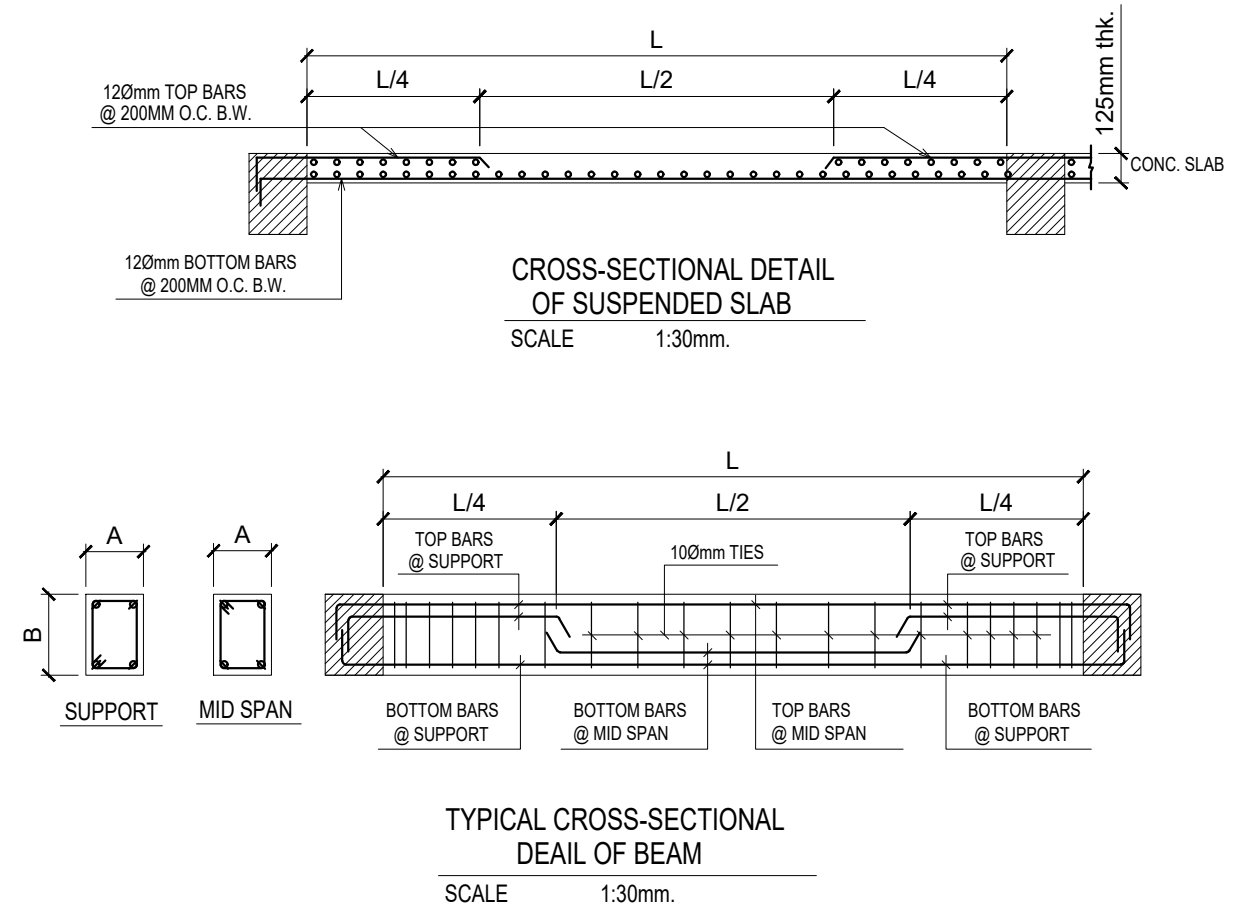
ADMIN\D:\Angelo\Calamba Water District\PUMPING STATION\BPS_1\CALIBRATION BUILDING\BPS_UPPER_CALIBRATION BUILDING_2_storey_rev1.dwg - 9/29/2021 1:37 pm

This design or drawing is the sole property of Calamba Water District. No part of this design or drawing may be reproduced or transmitted in any form or by any means without the written consent of its owner.



SECOND FLOOR FRAMING PLAN
SCALE: 1:100m.

NOTES:
1. ALL SIZES AND LOCATIONS ARE SUBJECT TO CHANGE TO SUIT FIELD CONDITIONS.
2. THE DESIGNER SHALL NOT BE LIABLE FOR ANY ALTERATION/ REVISION ON THE PLANS/ DRAWINGS AND SPECIFICATIONS IMPROVED BY THE AUTHORIZED SUPERVISING ENGINEER DONE WITHOUT THEIR KNOWLEDGE THAT MAY IMPAIR THE STRENGTH OF THE PROJECT.

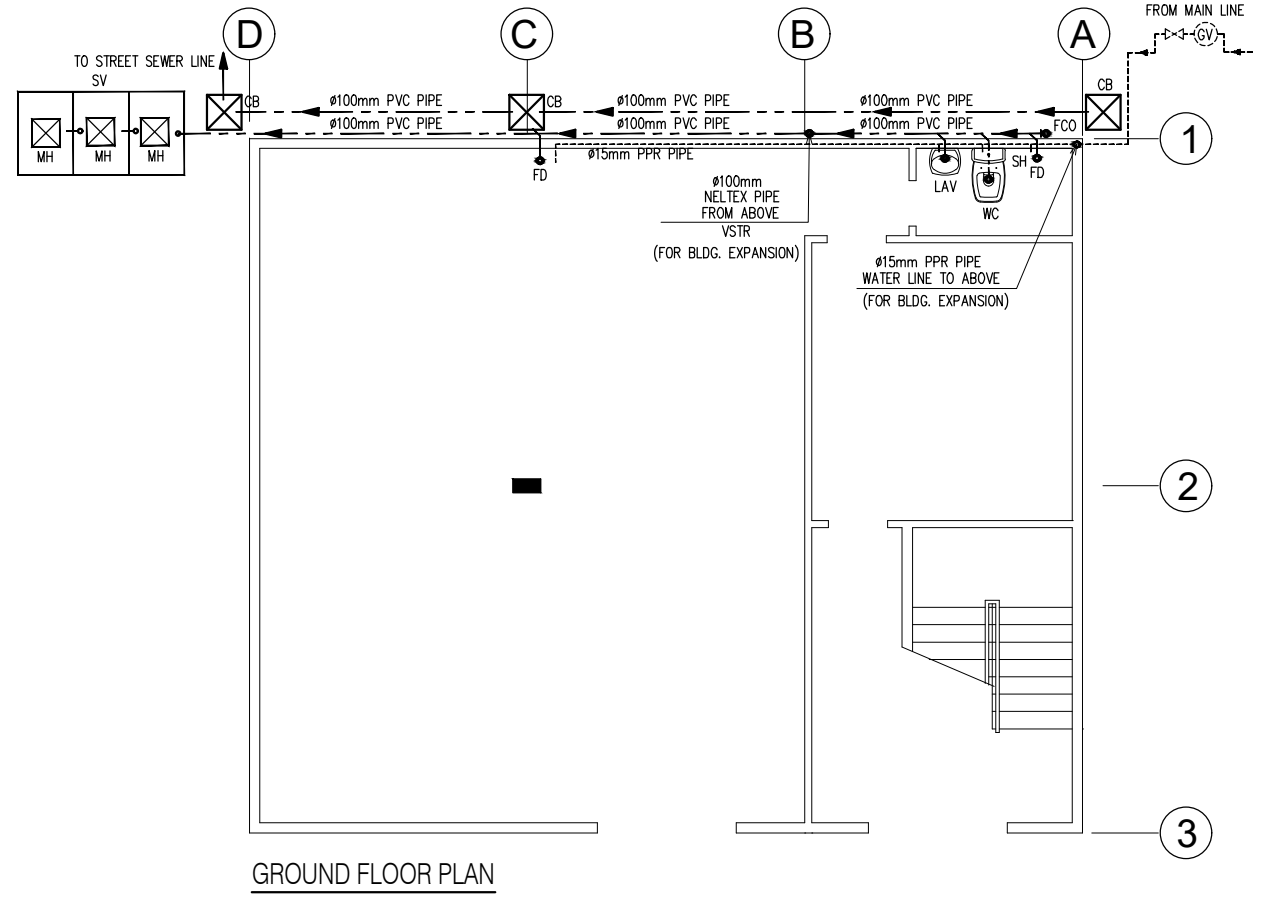


SCHEDULE OF BEAM								
MARK	CROSS-SECTION		DIMENSION A x B	REBARS				STIRRUPS
	END SPAN	MID SPAN		@ SUPPORT		@ MID SPAN		
				TOP BARS	BOTTOM BARS	TOP BARS	BOTTOM BARS	
B-1			200x400	5-Ø16mm	2-Ø16mm	2-Ø16mm	5-Ø16mm	10Ømm TIES 2@ 50, 4@ 100 & 200 @ REST.
B-2			200x400	4-Ø16mm	2-Ø16mm	2-Ø16mm	5-Ø16mm	10Ømm TIES 2@ 50, 4@ 100 & 200 @ REST.
RB-1			150x300	3-Ø12mm	2-Ø12mm	2-Ø12mm	3-Ø12mm	10Ømm TIES 2@ 50, 4@ 100 & 200 @ REST.

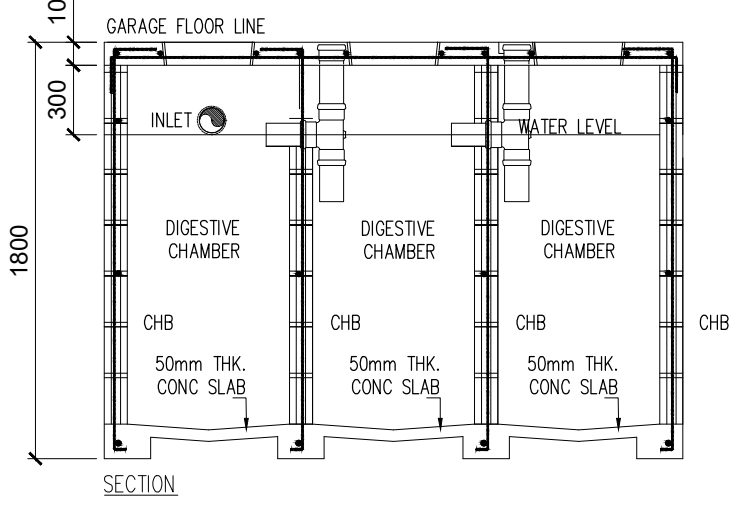
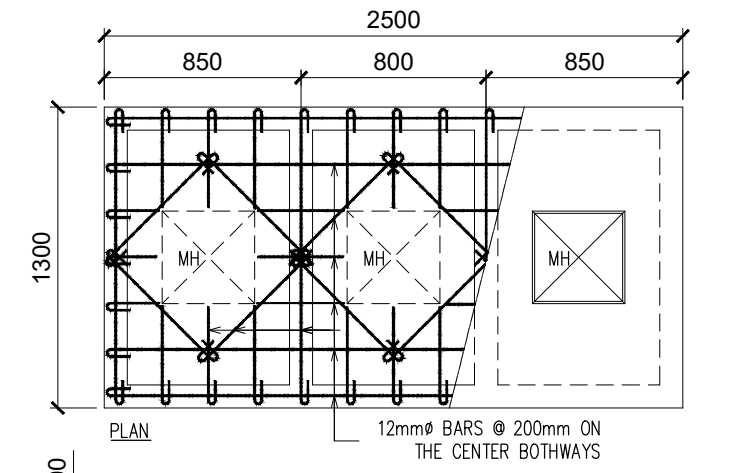
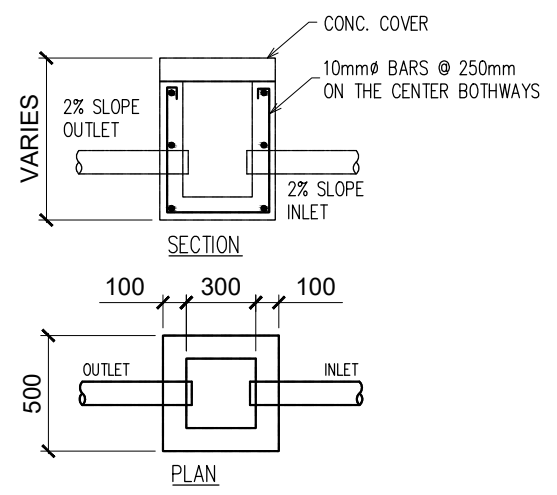
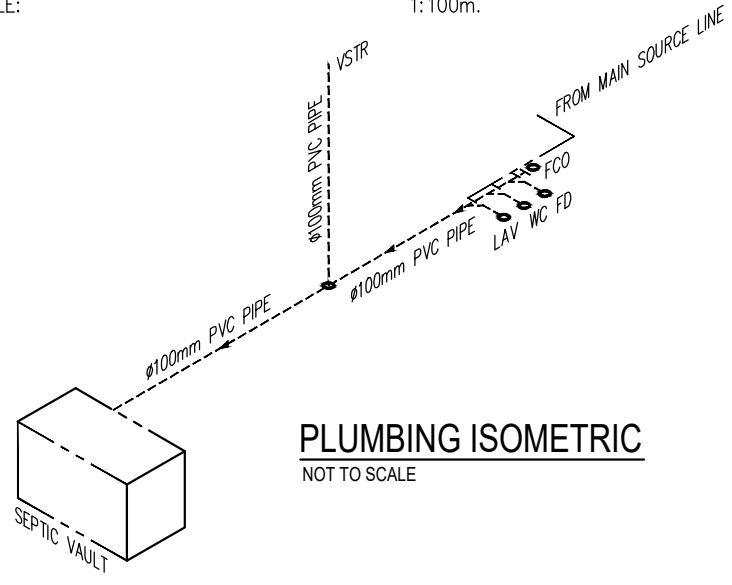
 CALAMBA WATER DISTRICT ENGINEERING DEPARTMENT PLANNING AND DESIGN DIVISION 24/7 Public Service	PROJECT TITLE:	DRAWN BY: A. L. DEL PRADO	SHEET CONTENTS:	DATE: 09/29/2021
	SUPPLY OF LABOR & MATERIALS FOR THE CONSTRUCTION OF CALIBRATION ROOM & CALIBRATED WATER METER		DESIGNED BY: A. L. DEL PRADO	
LOCATION: Bucal Pumping Station Upper, Calamba City, Laguna		RECOMMENDED BY: ENGR. J. GILLERA	APPROVED BY: MR. E. A. AGUILAR JR.	

ADMIN\D:\Angelo\Calamba Water District\PUMPING STATION\BPS_1\CALIBRATION BUILDING\BPS_UPPER_CALIBRATION BUILDING_2_storey_rev1.dwg - 9/29/2021 4:44 pm

This design or drawing is the sole property of Calamba Water District. No part of this design or drawing may be reproduced or transmitted in any form or by any means without the written consent of its owner.



SEWER & PLUMBING LAYOUT
SCALE: 1:100m.



DETAIL OF SEPTIC VAULT
SCALE: 1:30m.

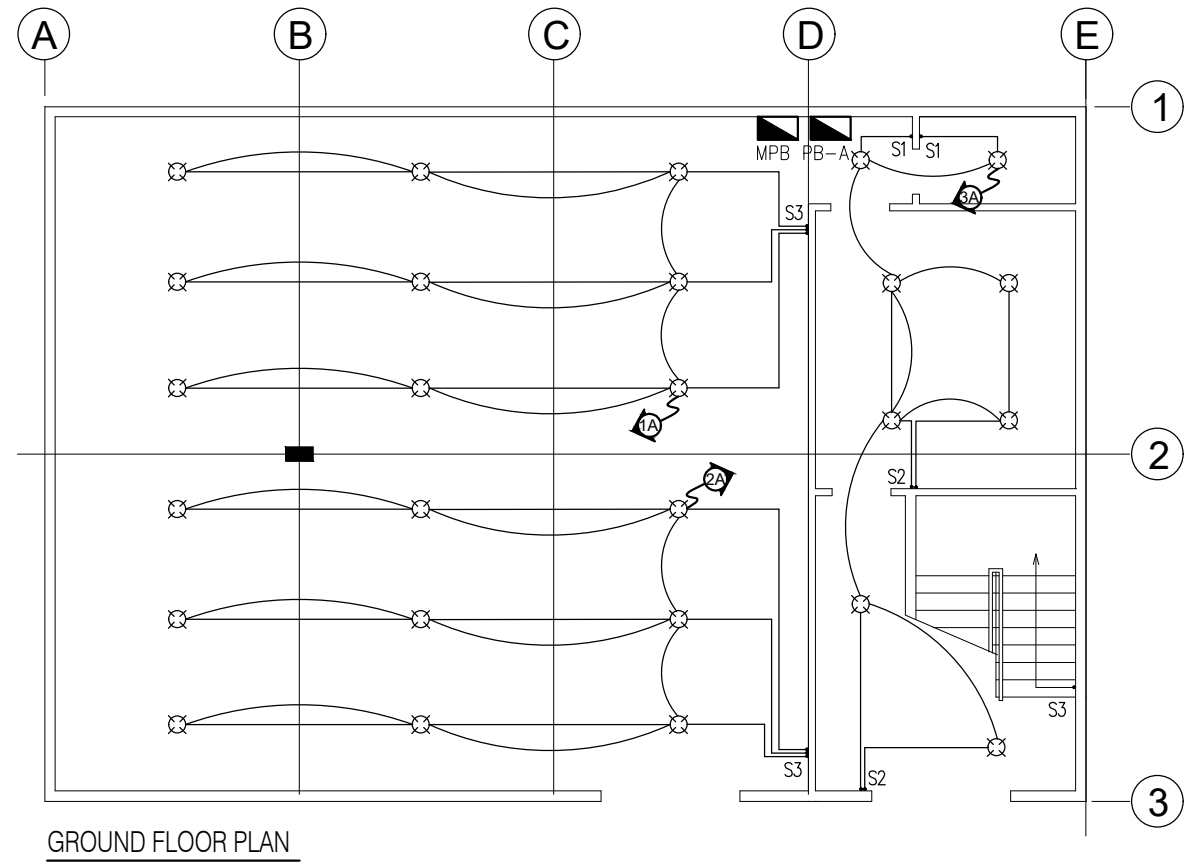
NOTES:
1. ALL SIZES AND LOCATIONS ARE SUBJECT TO CHANGE TO SUIT FIELD CONDITIONS.
2. THE DESIGNER SHALL NOT BE LIABLE FOR ANY ALTERATION/ REVISION ON THE PLANS/ DRAWINGS AND SPECIFICATIONS IMPROVED BY THE AUTHORIZED SUPERVISING ENGINEER DONE WITHOUT THEIR KNOWLEDGE THAT MAY IMPAIR THE STRENGTH OF THE PROJECT.

- LEGEND:**
- 100mmØ PVC PIPE
 - 15mmØ PPR WATER LINE
 - ☒ CATCH BASIN
 - FD FLOOR DRAIN
 - WC WATER CLOSET
 - LAV LAVATORY
 - KS KITCHEN SINK
 - HB HOSE BIB
 - CO CLEAN OUT
 - MH MAN HOLE
 - SV SEPTIC VAULT
 - SH SHOWER HEAD
 - WM WASHING MACHINE

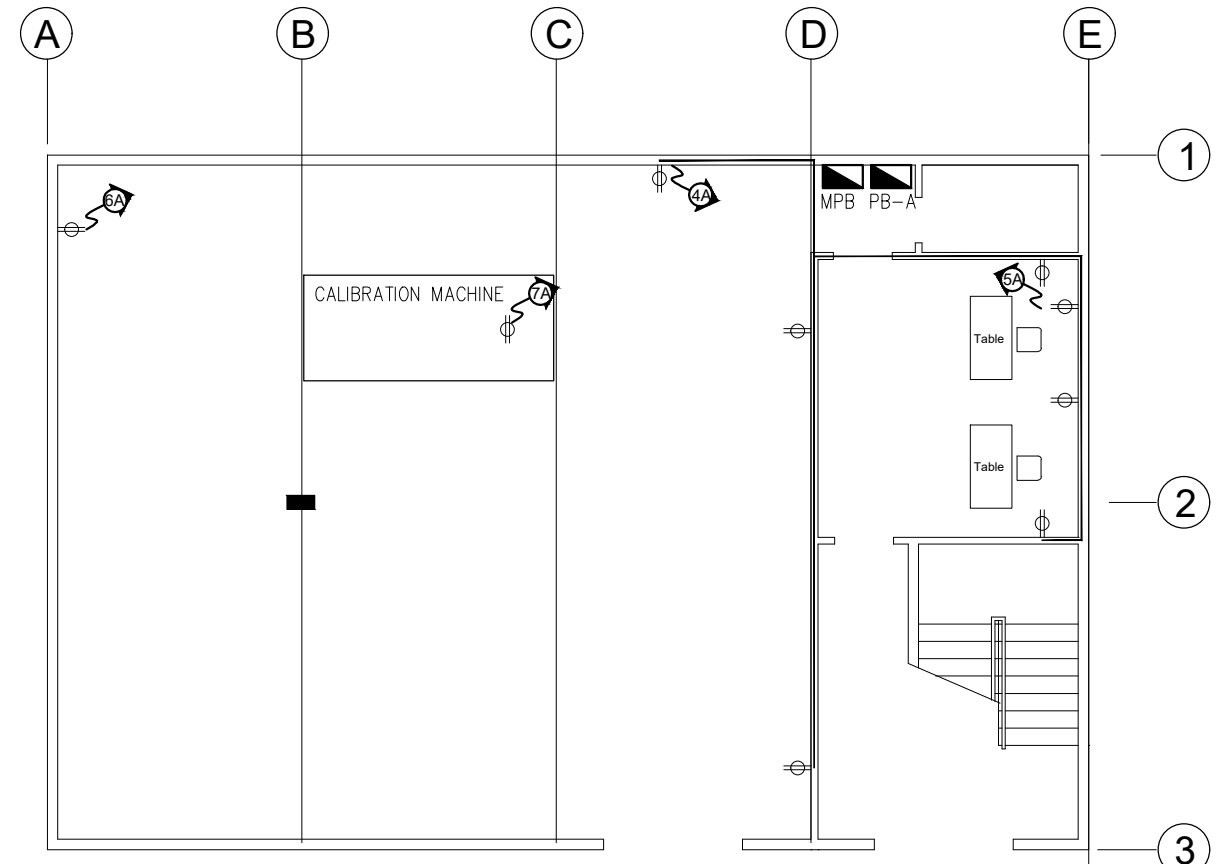
<p>CALAMBA WATER DISTRICT ENGINEERING DEPARTMENT PLANNING AND DESIGN DIVISION</p> <p>LAKEVIEW SUBD., HALANG, CALAMBA CITY</p>	PROJECT TITLE:	DRAWN BY: A. L. DEL PRADO	SHEET CONTENTS:	DATE: 07/16/2021
	SUPPLY OF LABOR & MATERIALS FOR THE CONSTRUCTION OF CALIBRATION ROOM & CALIBRATED WATER METER	DESIGNED BY: A. L. DEL PRADO	RECOMMENDED BY: ENGR. J. GILLERA	SHEET NO.
LOCATION: Bucal Pumping Station Upper, Calamba City, Laguna	APPROVED BY: MR. E. A. AGUILAR JR.	P-1		

ADMIN\D:\Angelo\Calamba Water District\PUMPING STATION\BPS_1\CALIBRATION BUILDING\BPS_UPPER_CALIBRATION BUILDING_2_storey_rev1.dwg - 9/29/2021 4:34 pm

This design or drawing is the sole property of Calamba Water District. No part of this design or drawing may be reproduced or transmitted in any form or by any means without the written consent of its owner.



GROUND FLOOR PLAN



GROUND FLOOR PLAN

ELECTRICAL LIGHTING LAYOUT
 SCALE: _____ 1:100m.

- NOTES:
1. ALL SIZES AND LOCATIONS ARE SUBJECT TO CHANGE TO SUIT FIELD CONDITIONS.
 2. THE DESIGNER SHALL NOT BE LIABLE FOR ANY ALTERATION/ REVISION ON THE PLANS/ DRAWINGS AND SPECIFICATIONS IMPROVED BY THE AUTHORIZED SUPERVISING ENGINEER DONE WITHOUT THEIR KNOWLEDGE THAT MAY IMPAIR THE STRENGTH OF THE PROJECT.

CALAMBA WATER DISTRICT ENGINEERING DEPARTMENT PLANNING AND DESIGN DIVISION <small>24/7 Public Service</small>	PROJECT TITLE:	DRAWN BY: A. L. DEL PRADO	SHEET CONTENTS:	DATE: 09/29/2021
	SUPPLY OF LABOR & MATERIALS FOR THE CONSTRUCTION OF CALIBRATION ROOM & CALIBRATED WATER METER	LOCATION: Bucal Pumping Station Upper, Calamba City, Laguna	DESIGNED BY: A. L. DEL PRADO	E-1
		RECOMMENDED BY: ENGR. J. GILLERA		
		APPROVED BY: MR. E. A. AGUILAR JR.		

ADMIN\D:\Angelo\Calamba Water District\PUMPING STATION\BPS_1\CALIBRATION BUILDING\BPS_UPPER_CALIBRATION BUILDING_2_storey_rev1.dwg-9/29/2021 4:43 pm

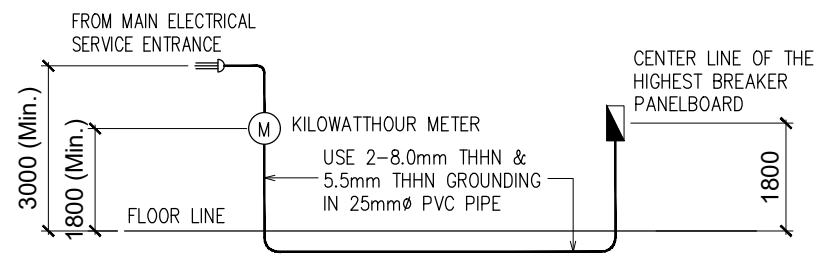
This design or drawing is the sole property of Calamba Water District. No part of this design or drawing may be reproduced or transmitted in any form or by any means without the written consent of its owner.

SCHEDULE OF MAIN PANELBOARD LOADS (MPB)						
CKT. NO.	DESCRIPTION	WATTS	VOLTS	BREAKER	WIRES	CONDUITS
1	PB-A	9329	230	2P,60A,230V.	5.5mm THHN	20mmØ PVC PIPE
2	PB-B	13174	230	2P,60A,230V.	5.5mm THHN	20mmØ PVC PIPE
TOTAL		22503	230	2P,100A,230V.	8.0mm THHN	25mmØ PVC PIPE

$A = \frac{22503 \times 0.8}{230} = 78.27 \times 1.25$
 $A = 97.84$ (USE 2-8.0mm THHN & 5.5mm THHN GROUNDING IN 20mmØ PVC PIPE)

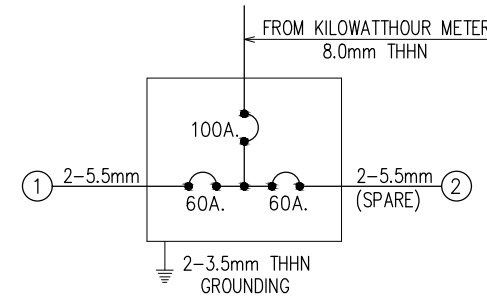
SCHEDULE OF LOADS (PB-A)						
CKT. NO.	DESCRIPTION	WATTS	VOLTS	BREAKER	WIRES	CONDUITS
1	9-100w LIGHT BULB	900	230	2P,15A,230V.	2.0mm THHN	15mmØ PVC PIPE
2	9-100w LIGHT BULB	900	230	2P,15A,230V.	2.0mm THHN	15mmØ PVC PIPE
3	8-100w LIGHT BULB	800	230	2P,15A,230V.	2.0mm THHN	15mmØ PVC PIPE
4	6-CONVENIENCE OUTLET	1200	230	2P,20A,230V.	3.5mm THHN	15mmØ PVC PIPE
5	1HP AC UNIT	746	230	2P,20A,230V.	3.5mm THHN 2.0mm GRND.	15mmØ PVC PIPE
6	4HP AC UNIT	2983	230	2P,20A,230V.	3.5mm THHN 2.0mm GRND.	15mmØ PVC PIPE
7	CALIBRATION MACHINE	1800	230	2P,20A,230V.	3.5mm THHN 2.0mm GRND.	15mmØ PVC PIPE
8	SPARE					
TOTAL		9329	230	2P,60A,230V.	5.5mm THHN	20mmØ PVC PIPE

$A = \frac{9329 \times 0.8}{230} = 32.45 \times 1.25$
 $A = 40.56$ (USE 2-5.5mm THHN & 3.5mm THHN GROUNDING IN 20mmØ PVC PIPE)

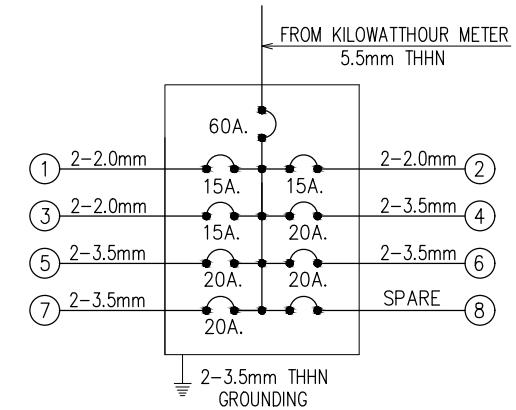


SINGLE LINE RISER DIAGRAM

NOTES:
 1. ALL SIZES AND LOCATIONS ARE SUBJECT TO CHANGE TO SUIT FIELD CONDITIONS.
 2. THE DESIGNER SHALL NOT BE LIABLE FOR ANY ALTERATION/ REVISION ON THE PLANS/ DRAWINGS AND SPECIFICATIONS IMPROVED BY THE AUTHORIZED SUPERVISING ENGINEER DONE WITHOUT THEIR KNOWLEDGE THAT MAY IMPAIR THE STRENGTH OF THE PROJECT.



DETAIL OF MAIN PANELBOARD (MPB)



DETAIL OF PANELBOARD A (PB-A)

- LEGEND:
- LIGHTING BULB CEILING OUTLET
 - CONVENIENCE OUTLET
 - AIRCON OUTLET
 - CIRCUIT RUN NUMBER
 - SWITCH
 - 3 WAY SWITCH
 - KILOWATTHOUR METER
 - PANELBOARD

- GENERAL NOTES :
1. THE ELECTRICAL WORKS HEREIN SHALL BE DONE IN ACCORDANCE WITH THE PROVISION OF THE LATEST EDITION OF THE PHILIPPINE ELECTRICAL CODE . THE RULES AND REGULATION OF THE LOCAL ENFORCING AUTHORITY AND THE REQUIREMENTS OF THE LOCAL POWER COMPANY.
 2. ALL MATERIALS TO BE USED SHALL BE BRAND NEW AND APPROVED TYPES FOR PURPOSED AND LOCATION.
 3. THE MINIMUM ALLOWABLE SIZE OF CONDUCTOR AND RACEWAYS CONDUIT SHALL BE 2.0mm² AND 15mmØ PVC OR RSC RESPECTIVELY.
 4. ALL ELECTRICAL WORKS HEREIN SHALL BE DONE UNDER THE DIRECT AND IMMEDIATE SUPERVISION OF A DULY QUALIFIED PROFESSIONAL ELECTRICAL ENGINEER AND OR REGISTERED ELECTRICAL ENGINEER.
 5. THE FOLLOWING MOUNTING HEIGHTS SHALL BE OBSERVE AND FOLLOWED.
 - A. WALL SWITCHES= 1200mm FROM THE FINISH FLOOR LINE TO CENTER OF THE DEVICE.
 - B. CONVENIENCE OUTLET= 300mm FROM THE FINISH FLOOR LINE TO THE CENTER OF THE DEVICE
 - C. PANELBOARD= CENTRALLY LOCATED BETWEEN THE CEILING LINE AND FLOOR FINISH LINE.

CALAMBA WATER DISTRICT ENGINEERING DEPARTMENT PLANNING AND DESIGN DIVISION 24/7 Public Service	PROJECT TITLE:	DRAWN BY: A. L. DEL PRADO	SHEET CONTENTS:	DATE: 09/29/2021
	SUPPLY OF LABOR & MATERIALS FOR THE CONSTRUCTION OF CALIBRATION ROOM & CALIBRATED WATER METER		DESIGNED BY: A. L. DEL PRADO	SHEET NO.
LOCATION: Bucal Pumping Station Upper, Calamba City, Laguna		RECOMMENDED BY: ENGR. J. GILLERA	E-2	
LAKEVIEW SUBD., HALANG, CALAMBA CITY		APPROVED BY: MR. E. A. AGUILAR JR.		

ADMIN\D:\Angelo\Calamba Water District\PUMPING STATION\BPS_1\CALIBRATION BUILDING\BPS_UPPER_CALIBRATION BUILDING_2_storey_rev1.dwg-9/29/2021 4:42 pm